



JAD SMART Intelligent Fume Hood Vertical Movement Sash Sensor SSD-V10



OVERVIEW

SMART SSD-V10 Fume Hood Vertical Movement Sash Sensor is a linear sensor that measures the extension and contraction of the spring-loaded cable and converts to an electrical output signal. The function is to measure the fume hood sash height and calculate the sash opening area. This signal is then sent to a VAV Venturi Valve to control a constant face velocity of 0.3/0.5 m/s within the minimum and maximum airflow volume allowable.

SMART SSD-V10 utilizes a potentiometer in a spring coil structure to measure the sash height position through the varying resistance value. This resistance value is then converted to a 0-5vdc signal and input into the DDC controller of the variable air volume venturi valve for face velocity control accordingly to international guideline like ASHARE 110-2016.

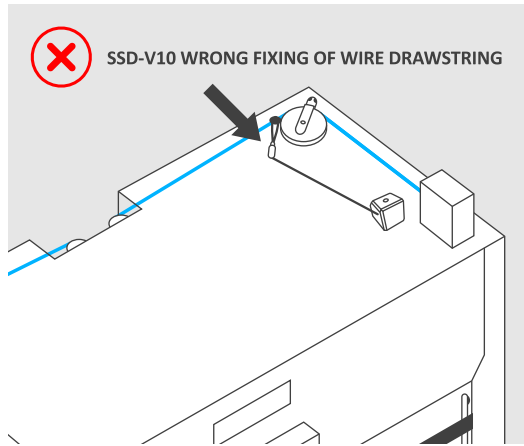
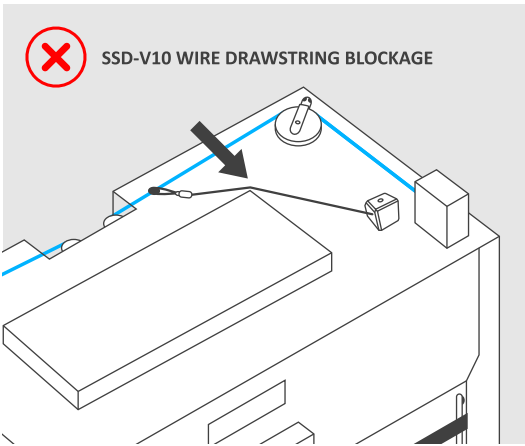
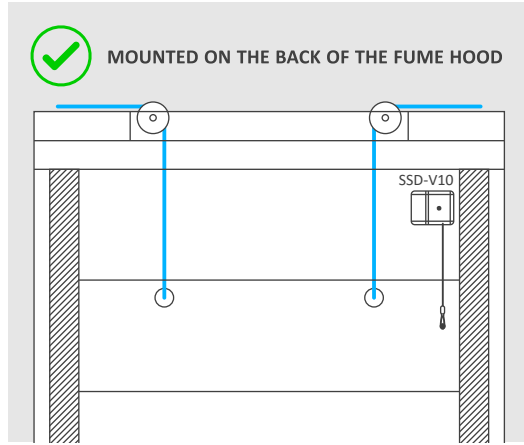
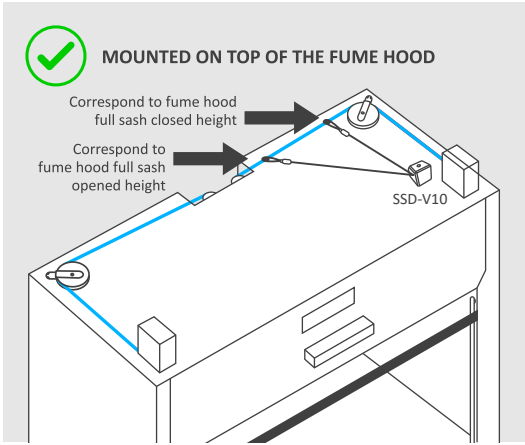
APPLICATION

SMART SSD-V10 Fume Hood Vertical Movement Sash Sensor is suitable for fume hood face velocity control due to its fast response, stable and linear signal especially for fume hood with only vertical sash. Fume hood that has combinations sashes is recommended to use side wall sensing instead of sash sensing technique with SMART KVV Air Velocity Transmitter for better response. SMART SSD-V10 is used in conjunction with VVA Venturi or fast response VAV box and SMART SHT 5631 Fume Hood Touch Screen Monitoring System to control, monitor and alarm alert to ensure the user safety in operating the fume hood.

TECHNICAL SPECIFICATIONS

Product Model	SSD-V10-40 (Maximum stroke 1000mm) SSD-V10-80 (Maximum stroke 2000mm)
Linear Accuracy	Above 0.1%
Output Signal	0~5KΩ
Drawstring Material	Multi-strand stainless steel cable
Operating Temperature	0°C to 60°
Repeatability	Above 0.01%
Relative Temperature	20% to 90% non-condensing
Drawstring Diameter	0.65mm
Included Cable	1m, 3×0.3mm cable

INSTALLATION METHOD



INSTALLATION METHOD

1. Remove SSD-V10 protective cover screw and then the protective cover.
2. Put the SSD-V10 in place and install the screws one at a time in the 4 mounting bracket screw holes.
3. Close the protection cover and tighten the protection cover screw.

VVA FUME HOOD CONTROLLER

Only 12VDC Power Supply	STATUS	POWER	PORT B RS485	SASH SENSOR
12V G	⊗	⊗	12V G A B	+5V AI G

R Y B (G)



JAD SOLUTIONS PTE LTD
(A member of Natural Cool Holdings Limited)

87 Defu Lane 10 #05-02 Singapore 539219 ▪ Tel 65-6841 8656 ▪ Fax 65-6284 4415
Email enquiry@jad-venture.com ▪ Web jad-venture.com

Company Reg No. 200703726E ▪ GST Reg No. 200703726E