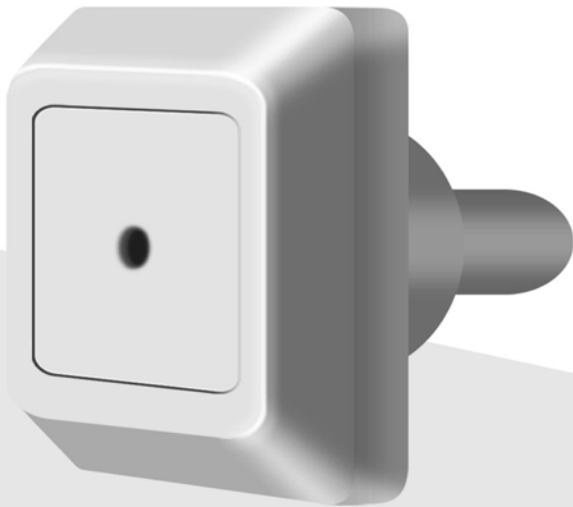




# JAD SMART Kfv Air Velocity Transmitter



## OVERVIEW

**SMART Kfv Air Velocity Transmitter** is specially designed for the application of variable air volume fume hood. The velocity measuring probe is very responsive and sensitive even with air velocity below 0.1 m/s. The transmitter can measure air velocity accurately in the range of 0-1 m/s and 0-2 m/s.

The specially designed airflow channel effectively improves the sensor measurement stability even with the continuous fluctuation of the air velocity in a dynamic laboratory setup. This design couple with the protective cover prevent corrosive gases from the fume hood from reaching the air

velocity sensor directly thus improve the product stability and reliability for long term operation.

**SMART Kfv Air Velocity Transmitter** fast and stable response matches the fast response venturi valve or VAV box requirement to maintain a constant 0.3/0.5 m/s stable face velocity control. This will ensure the fume hood face velocity safety performance and assurance to user safety. Each transmitter is calibrated individually when they leave the factory to ensure the accuracy and consistency of each product. The transmitter can output either 0-5 vdc or 0-10 VDC linear signal with a power supply of 12/24 VDC.

## FEATURES

**SMART Kfv Air Velocity Transmitter** with its high sensitivity and fast response characteristics is suitable for use with SMART VVA variable air volume venturi valve to control different types of fume hoods face velocity. The SMART system is easy to install and operate, improve fume hood safety while reducing the operating energy consumption.

- **Fast response time, improve the VAV system to quickly and stably control the face velocity.**
- **Advanced anti-corrosion design, reliable and minimum maintenance.**
- **Highly sensitive, accurate measurement of low air velocity.**
- **Stable velocity output.**
- **Selectable range, output signal and response time.**
- **Convenient and flexible installation for different fume hoods.**
- **Easy integration with SMART VVA venturi and SHT fume hood touch screen display.**

## TECHNICAL SPECIFICATIONS

### Measuring Range

0-1m/s (default), 0-2m/s (optional)

### Signal Output

0-10VDC (default), 0-5VDC (optional)

### Resolution

0.005m/s

### Response Time

1 second fast (default), 2 seconds medium speed

### Power Supply

DC 12/24V ( $\pm 10\%$ )

### Materials And Color

ABS, off-white

### Environmental Conditions

**Operation:** -25...70 °C, <85 %rh without condensation

**Transportation:** -35...70 °C, <90 %rh without condensation

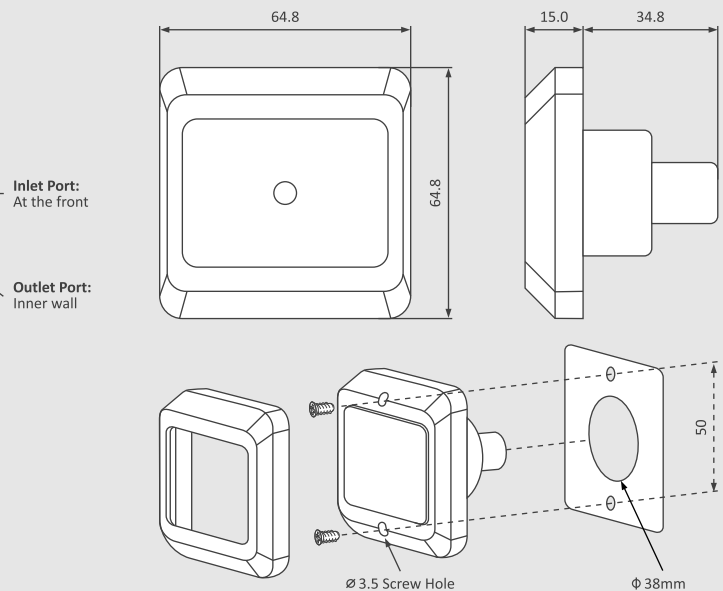
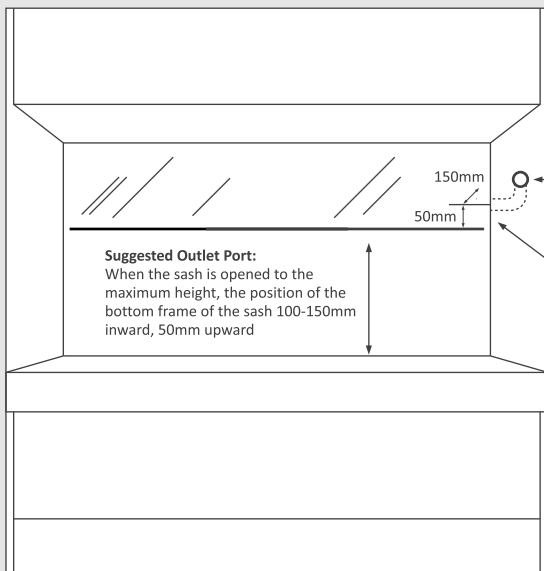
**Storage:** -10...70 °C, <85 %rh without condensation

## APPLICATION

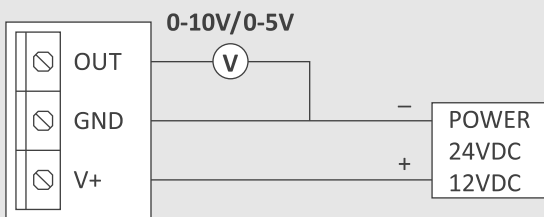
**SMART KfV Air Velocity Transmitter** is specially designed for fume hood face velocity monitoring. It is widely used in various bench top and walk-in fume hoods and suitable even with combination sash application.

SMART VVA variable air volume venturi valve controls a constant face velocity in a fast and steady manner based on the fume hood sash height while the KfV transmitter is used to detect and display the actual face velocity of the fume hood and send an alarm signal when the deviation exceeds the standard range. This improves the overall performance and safety of a fume hood operation by relying on the sash sensor stable signal and real time face velocity measurement display in SMART SHT touch screen with alarm alert.

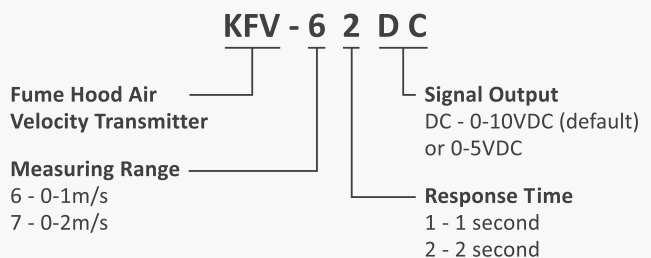
### INSTALLATION LOCATION AND SIZE



### WIRING



### MODEL LIST



**JAD SOLUTIONS PTE LTD**  
(A member of Natural Cool Holdings Limited)

87 Defu Lane 10 #05-02 Singapore 539219 ▪ Tel 65-6841 8656 ▪ Fax 65-6284 4415

Email enquiry@jad-venture.com ▪ Web jad-venture.com

Company Reg No. 200703726E ▪ GST Reg No. 200703726E